



The Infinite Bandwidth Company™

# MIC9131

## High-Voltage, High-Speed Telecom DC-to-DC Controller

### Final Information

### General Description

The MIC9131 is a current-mode PWM controller that efficiently converts -48V telecom voltages to logic levels. The MIC9131 features a high voltage start-up circuit that allows the device to be connected to input voltages as high as 180V. The high input voltage capability protects the MIC9131 from line transients that are common in telecom systems. The start-up circuitry also saves valuable board space and simplifies designs by integrating several external components.

The MIC9131 is capable of high speed operation. Typically the MIC9131 can control a sub-25ns pulse width on the gate out pin. Its internal oscillator can operate over 2.5MHz, with even higher frequencies available through synchronisation. The high speed operation of the MIC9131 is made safe by the very fast, 34ns response from current sense to output, minimizing power dissipation in a fault condition.

The MIC9131 allows for the designs of high efficiency power supplies. It can achieve efficiencies over 90% at high output currents. Its low 1.3mA quiescent current allows high efficiency even at light loads.

The MIC9131 has a maximum duty cycle of 75%. For designs requiring a maximum duty cycle of 50%, refer to the MIC9130. The MIC9131 is available in a 16-pin SOP and 16-pin QSOP package options. The junction temperature range is from -40°C to +125°C.

### Features

- Input voltages up to 180V
- Internal oscillator capable of > 2.5MHz operation
- Accurate 75% maximum duty cycle
- Synchronisation capability to 6MHz
- Current sense delay of 34ns
- Minimum pulse width of <25ns
- 90% efficiency
- 1.3mA quiescent current
- 1µA shutdown current
- Soft-start
- Resistor programmable current sense threshold
- Selectable soft-start retry
- 4Ω sink, 12Ω source output driver
- Programmable under-voltage lockout
- Constant-frequency PWM current-mode control
- 16-pin SOIC and 16-pin QSOP

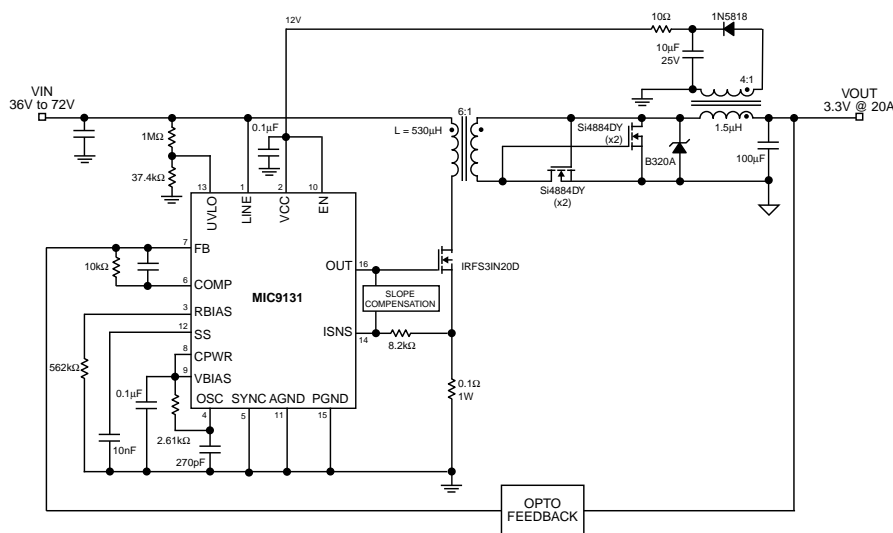
### Applications

- Telecom power supplies
- Line cards
- ISDN network terminators
- Micro- and pico-cell base stations
- Low power (< 100W) dc-dc converters
- DSL line cards

### Ordering Information

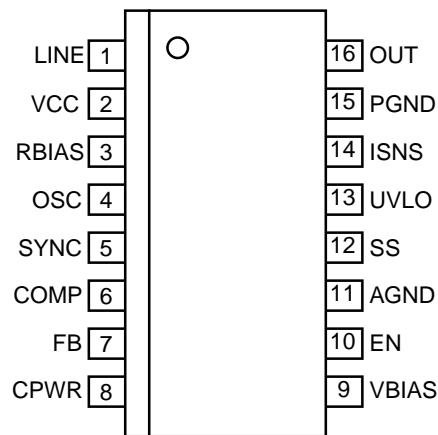
Part Number	Max. Duty Cycle	Junction Temp. Range	Package
MIC9131BM	75%	-40°C to +125°C	16-Pin SOP
MIC9131BQS	75%	-40°C to +125°C	16-Pin QSOP

### Typical Application



90% Efficient Telecommunications Power Supply

## Pin Configuration



**16-Pin SOP (M)**  
**16-Pin QSOP (QS)**

## Pin Description

Pin Number	Pin Name	Pin Function
1	LINE	Line (Input): 180Vdc maximum supply input. May be floated if unused.
2	VCC	Supply (Input): MIC9131 internal supply input.
3	RBIAS	Bias Resistor (External Component): Connect 562K $\Omega$ to ground.
4	OSC	Oscillator RC Network (External Components): Connect external resistor-capacitor network to set oscillator frequency.
5	SYNC	Synchronization (Input): External oscillator input for slave operation of controller. See OSC. Do not float.
6	COMP	Compensation (External Components): Error amplifier output for external compensation network connection.
7	FB	Feedback (Input): Error amplifier inverting input.
8	CPWR	Current Limit Selection (Input): When CPWR is high, an over-current condition at the ISNS input will terminate the gate drive and reset the soft-start latch. If the CPWR pin is low, an over-current condition at the ISNS input will terminate the gate drive signal, but will not cause a reset of the soft-start circuit.
9	VBIAS	Reference (Output): Internal 5V supply. Will source 5mA maximum.
10	EN	Enable (Input): Logic level enable/shutdown input; logic high = enabled (on), logic low = shutdown (off).
11	AGND	Analog Ground (Return)
12	SS	Soft-Start (External Components): Connect external capacitor to slowly ramp up duty cycle during startup and over-current conditions.
13	UVLO	Undervoltage Lockout (External Components): Connect to unbiased resistive divider network to set controller's minimum operating voltage. Connect to VBIAS if not needed.
14	ISNS	Current Sense (Input): Connect between external switching MOSFET source and switch current sense resistor.
15	PGND	Power Ground (Return)
16	OUT	Switch Drive Output (Output): Connect to gate of external switching MOSFET.

**Absolute Maximum Ratings (Note 1)**

Line Input Voltage ( $V_{LINE}$ )	+190V
$V_{CC}$ Input Voltage ( $V_{CC}$ )	+19V
Current Sense Input Voltage ( $V_{ISNS}$ )	-0.3 to +5.3V
Enable Voltage ( $V_{EN}$ )	-0.3 to $V_{CC} + 0.3V$
Feedback Input Voltage ( $V_{FB}$ )	-0.3 to +5.3V
Sync Input Voltage ( $V_{SYNC}$ )	-0.3 to +5.3V
Soft-Start Voltage ( $V_{SS}$ )	-0.3 to +5.3V
UVLO Voltage ( $V_{UVLO}$ )	-0.3 to +5.3V
Storage Temperature ( $T_S$ )	-65°C to +150°C
Power Dissipation ( $P_D$ )	
16-pin SOP	400mW @ $T_A = +85^\circ C$
16-pin QSOP	245mW @ $T_A = +85^\circ C$

ESD Rating, **Note 3****Operating Ratings (Note 2)**

Line Input Voltage ( $V_{LINE}$ )	$V_{CC}$ to +180V, <b>Note 4</b>
$V_{CC}$ Input Voltage ( $V_{CC}$ )	+9V to +18V
Junction Temperature Range ( $T_J$ )	-40°C to +125°C
Package Thermal Resistance	
16-pin SOP ( $\theta_{JA}$ )	100°C/W
16-pin QSOP ( $\theta_{JA}$ )	163°C/W

**Electrical Characteristics**

$T_A = 25^\circ C$ ,  $V_{LINE} = 48V$ ,  $V_{CC} = 10V$ ,  $R_t = 9.47K\Omega$ ,  $C_t = 470pF$ ,  $R_{BIAS} = 562k\Omega$ ,  $V_{EN} = 10V$ ,  $V_{ISNS} = 0V$ ,  $V_{UVLO} = 2V$ ,  $V_{SYNC} = 0V$ , unless otherwise noted. **Bold** values indicate  $-40^\circ C \leq T_J \leq +125^\circ C$ .

Parameter	Condition	Min	Typ	Max	Units
<b>Bias Regulator</b>					
Output Voltage	$I_{VBIAS} = 0mA$ ; $V_{OSC} = 0V$ (Oscillator OFF)	4.7	4.85	5.0	V
		<b>4.6</b>		<b>5.1</b>	V
Line Regulation	$9V \leq V_{CC} \leq 18V$ , $I_{VBIAS} = 0mA$ ; $V_{OSC} = 0V$		24	<b>40</b>	mV
Load Regulation	$0mA \leq I_{VBIAS} \leq 5mA$ ; $V_{OSC} = 0V$		5	<b>30</b>	mV
<b>Oscillator Section</b>					
Initial Accuracy ( $f_{OSC}$ )	$R_t = 9.47K\Omega$ , $C_t = 470pF$	180	200	220	kHz
Oscillator Output Frequency			$f_{OSC}/4$		kHz
Maximum Duty Cycle			75		%
Voltage Stability ( $\Delta f/f$ )	$9V \leq V_{CC} \leq 18V$		2.5		%
Temperature Stability	$-40^\circ C \leq T_J \leq 125^\circ C$		100		ppm/°C
Maximum Sync Frequency	<b>Note 5</b>		6		MHz
Sync Threshold Level			2.5		V
Sync Hysteresis			0.7		V
Sync Minimum Pulse Width			50		ns
<b>Error Amp Section</b>					
FB Voltage	$V_{COMP} = V_{FB}$	2.475 <b>2.45</b>	2.5	2.525 <b>2.55</b>	V
Open Loop Voltage Gain, $A_{VOL}$			90		dB
Unity Gain Bandwidth			4		MHz
PSRR	$9V \leq V_{CC} \leq 18V$		60		dB
COMP Sink Current	$V_{FB} = 2.7V$ ; $V_{COMP} = 5V$	80	100		$\mu A$
COMP Source Current	$V_{FB} = 2.3V$ ; $V_{COMP} = 0V$	1	2.5		mA
$V_{COMP}$ Low	$V_{FB} = 2.7V$ ; $I_{COMP} = -50\mu A$		115	300	mV
$V_{COMP}$ High	$V_{FB} = 2.3V$ ; $I_{COMP} = +50\mu A$	3.5	4		V
Input Bias Current ( $I_{FB}$ )	$V_{FB} = V_{COMP}$		160		nA
Slew Rate	SINK		1.5		V/ $\mu s$
	SOURCE		1.5		V/ $\mu s$

Parameter	Condition	Min	Typ	Max	Units
<b>Preregulator</b>					
Input Leakage Current	$V_{LINE} = 180V, V_{CC} = 10V$		0.1	<b>10</b>	$\mu A$
$V_{CC}$ Gate Lockout ( $V_{GLO(ON)}$ )	$V_{LINE} = 48V$	7.2	7.5		V
$V_{CC}$ Gate Lockout Hysteresis ( $\Delta V_{GLO}$ )	$V_{LINE} = 48V$	700	800		mV
$V_{CC}$ Pre-Regulator Off ( $V_{PR(OFF)}$ )	$V_{LINE} = 48V$	7.7	$V_{GLO(ON)} + 0.5V$		V
$V_{CC}$ Pre-Regulator Hysteresis ( $\Delta V_{PR}$ )	$V_{LINE} = 48V$	500	700		mV
Start-up Current	$V_{LINE} = 48V, V_{CC} = 7.5V, \text{Note 4}$	9	12		mA
<b>Supply</b>					
Supply Current, $I_{VCC}$	Pin 16 (OUT) = OPEN		1	1.3	mA
Enable Input Current	$V_{EN} = 0V, 10V; V_{LINE} = 48V$	<b>-10</b>	0.1	<b>10</b>	$\mu A$
Shutdown Supply Current	$V_{EN} = 0V; V_{CC} = 18V$		0.1	<b>10</b>	$\mu A$
<b>Protection and Control</b>					
Current Limit Threshold Voltage		<b>0.772</b>	0.83	<b>0.888</b>	V
Current Limit Delay to Output	$V_{ISNS} = 0V \text{ to } 5V$		34		ns
Current Limit Source Current	$V_{ISNS} = 0V$	30	40	50	$\mu A$
Enable Input Threshold (Turn-on)		1	1.6	2.2	V
Enable Input Hysteresis			150		mV
CPWR Input Current	$V_{CPWR} = 5V, 0V$	-1		+1	$\mu A$
CPWR Threshold			1.6		V
Soft-Start Current	$V_{SS} = 0V$	2.5	4	6	$\mu A$
Line UVLO Threshold (Turn-on)		1.16	1.22	1.28	V
Line UVLO Threshold Hysteresis			140		mV
Thermal Shutdown			145		$^{\circ}C$
Thermal Shutdown Hysteresis			25		$^{\circ}C$
<b>MOSFET Driver</b>					
Output Minimum On-Time	$V_{ISNS} = 5V$		0		ns
Output Driver Impedance	SOURCE ; $I_{SOURCE} = 200mA$		8	12	$\Omega$
	SINK ; $I_{SINK} = 200mA$		4	6	$\Omega$
Rise Time	$C_{OUT} = 500pF$		12		ns
Fall Time	$C_{OUT} = 500pF$		8		ns

**Note 1.** Exceeding the absolute maximum rating may damage the device.

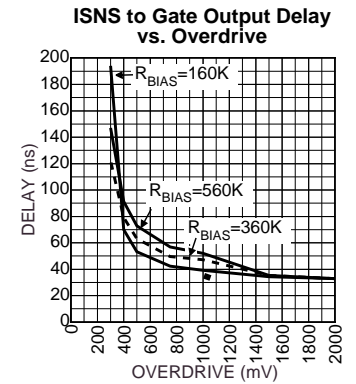
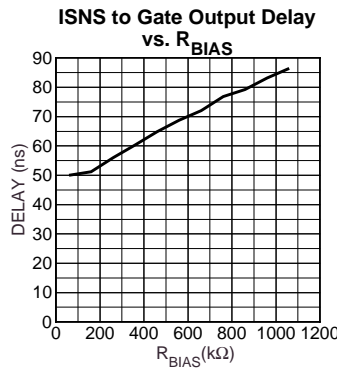
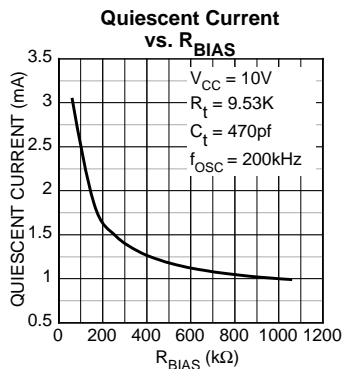
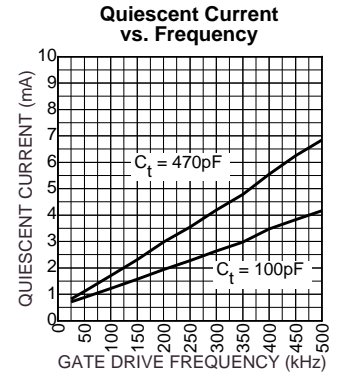
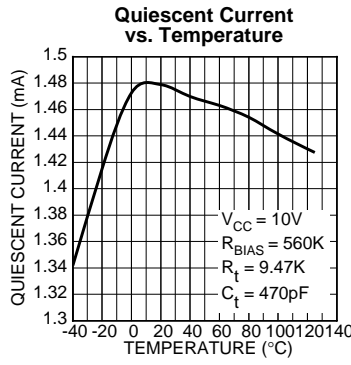
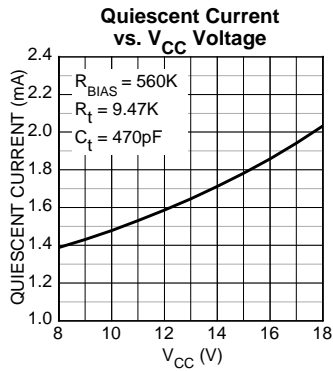
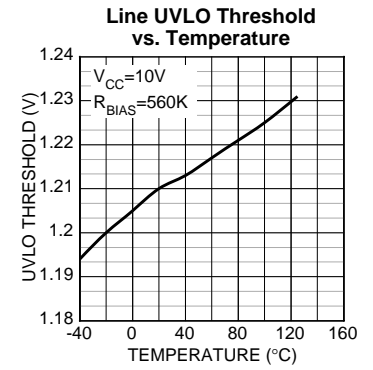
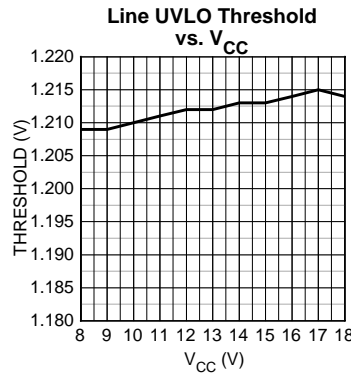
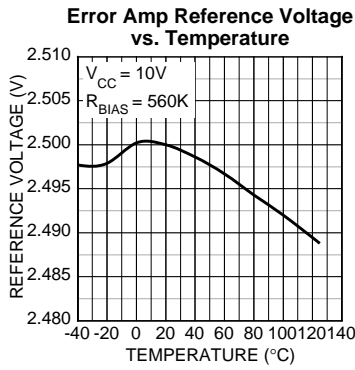
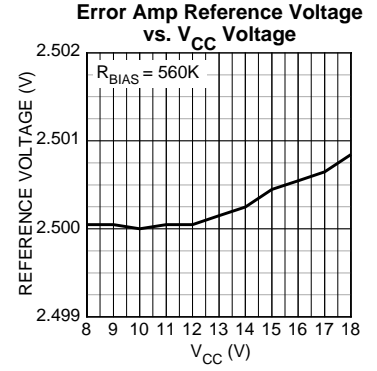
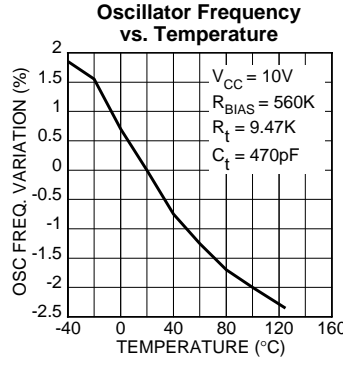
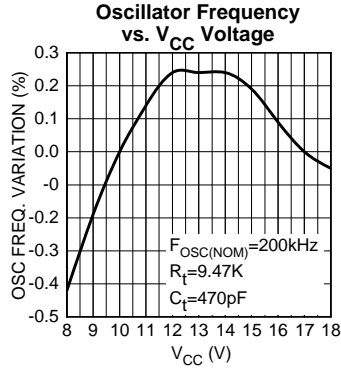
**Note 2.** The device is not guaranteed to function outside its operating rating.

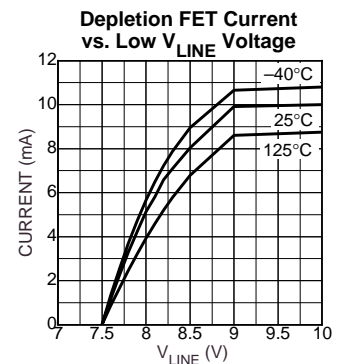
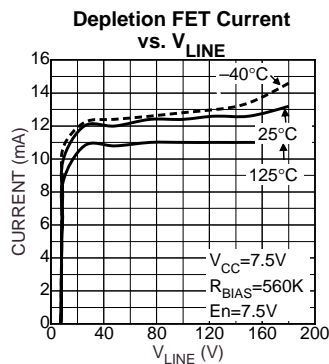
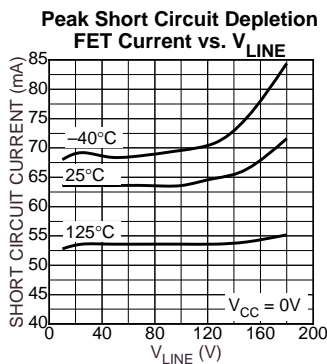
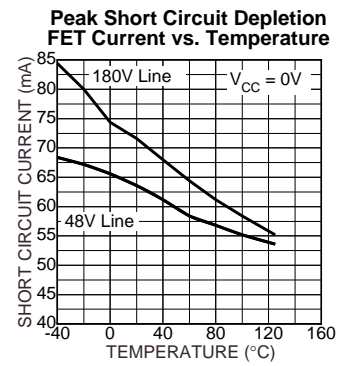
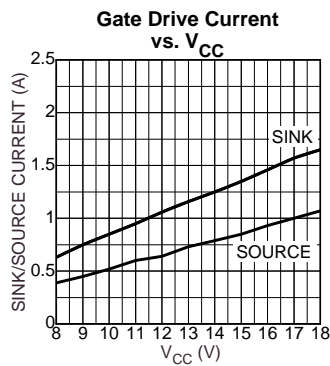
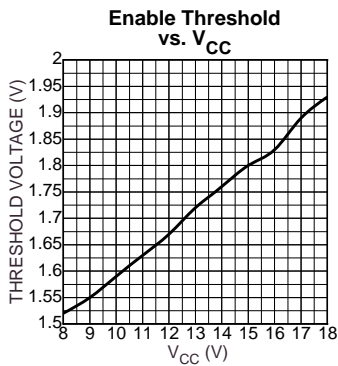
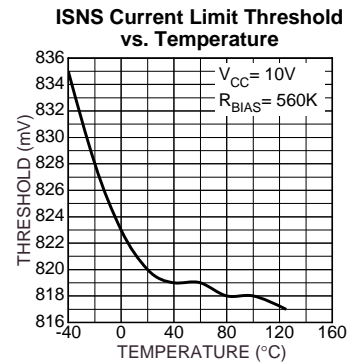
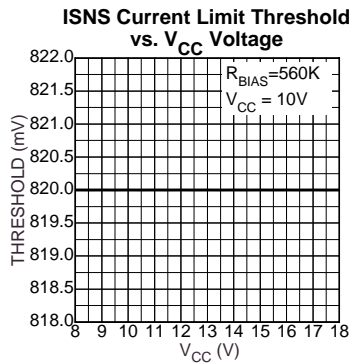
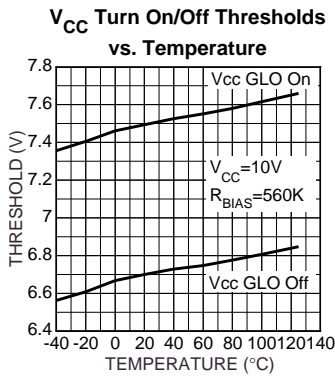
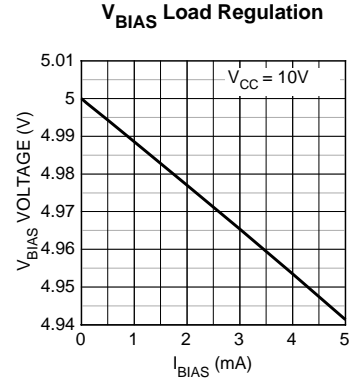
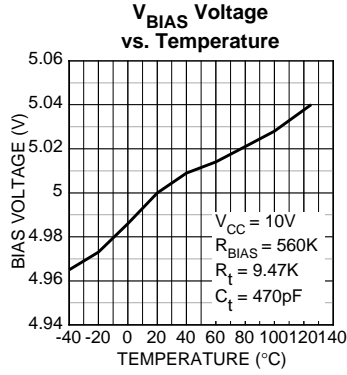
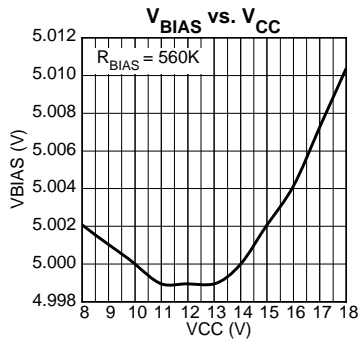
**Note 3.** Devices are ESD sensitive. Handling precautions recommended.

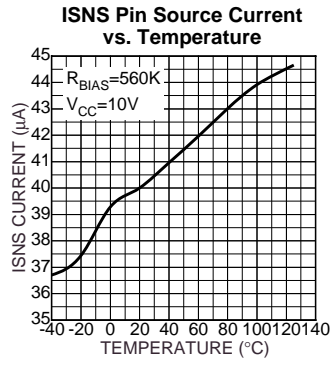
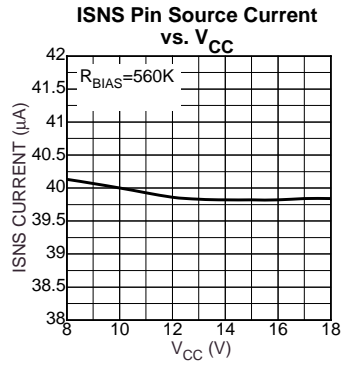
**Note 4.** If a sustained DC voltage >150V is applied to the LINE pin, a current-limiting 1.8k $\Omega$  resistor should be used in series with the LINE pin. This condition does not apply for transient conditions over 150V.

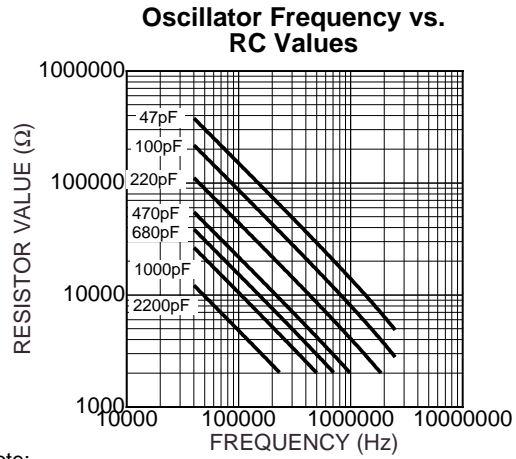
**Note 5.** For oscillator frequencies above 2.5MHz it may be necessary to power to VBIAS pin from an external power source due to the current limitations of the internal 5V regulator. See *Applications Information* for details.

# Typical Characteristics









\*See applications section for higher switching frequencies

Note:  
Output switching frequency is 1/4 the oscillator frequency.

## Functional Block Diagram

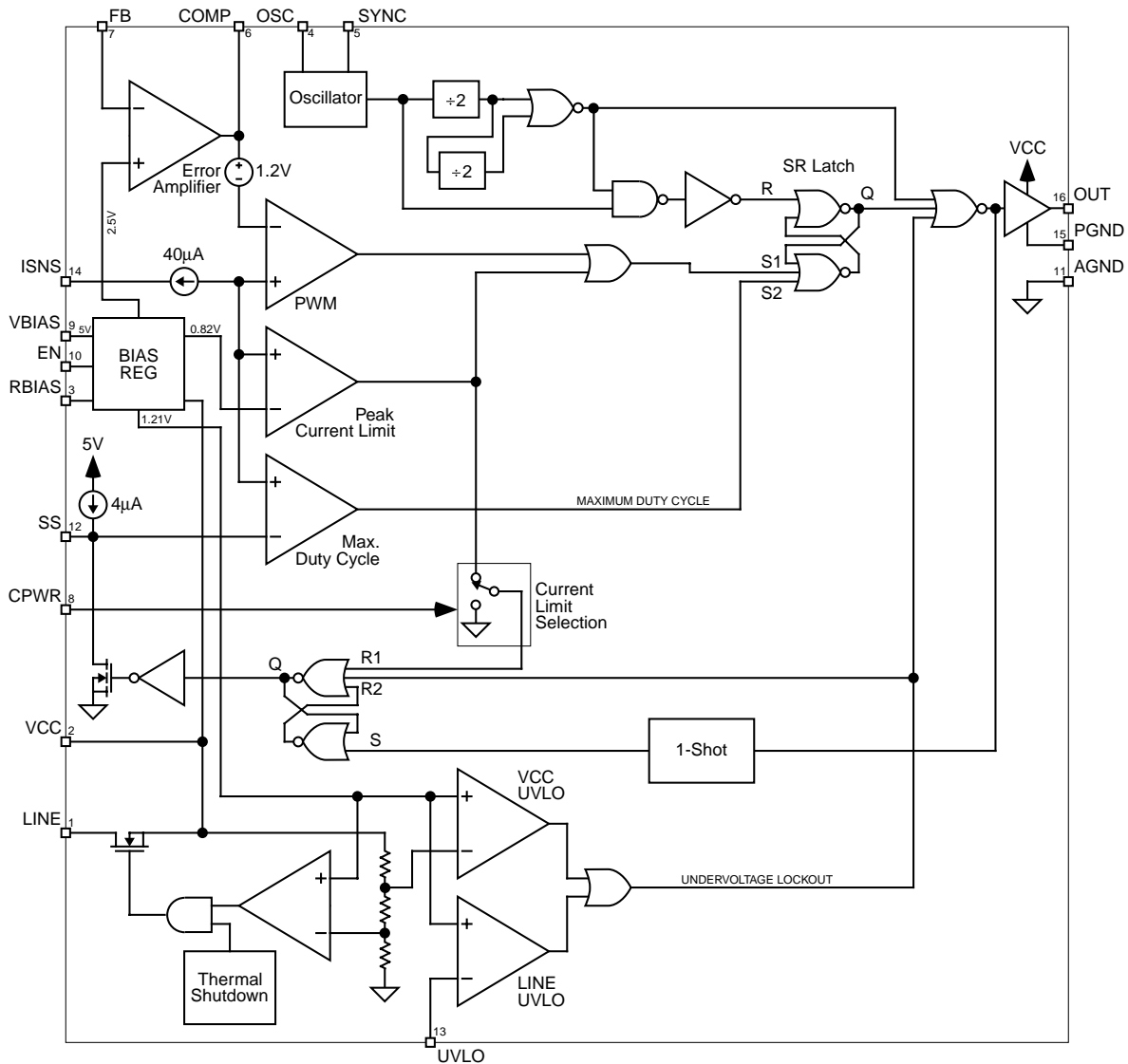


Figure 1



## Functional Description

Micrel's MIC9131 is a high voltage, high speed current mode switching power supply controller. It uses a BiC/DMOS process to achieve a high voltage input, low quiescent current and very fast internal delay times. The MIC9131 is designed to drive an external low side N-channel MOSFET, which makes it suitable for controlling Boost, Flyback and Forward converter topologies. The high voltage startup pin eliminates the requirement for an external start up circuit. This makes it ideal for use with Telecom converters.

A block diagram of the MIC9131 is shown in Figure 1. The description of the controller is divided into 6 basic functions:

- Power and bias circuitry
  - High voltage start-up circuit
  - $V_{CC}$  and Bias supplies
- Enable and Undervoltage monitoring circuits
  - $V_{CC}$  and  $V_{IN}$  UVLO
  - Enable
- Oscillator and sync circuitry
- Soft-start and soft-start reset circuits
- MOSFET gate drive circuits

- Control loop operation
  - Current sensing & overcurrent protection
  - Slope compensation
  - Error amplifier

### High Voltage Start Up Circuit

Many conventional Off-Line and Telecom power supplies use an external bias resistor and zener diode to supply the initial start-up voltage for the control IC. The control IC gets its supply voltage from a bias winding once the power supply is running. This method has the disadvantages of extra components (diode and power resistor), continuous power dissipation in the resistor and a large bias capacitor, used to supply the IC until the bias winding takes over.

The MIC9131 eliminates these problems by using an internal depletion mode MOSFET as a pre-regulator to provide the start-up bias voltage from the high voltage input of the power supply. This approach eliminates the need for external start up components and reduces the size of the controller's bias supply capacitor. The MOSFET is turned off once the external bias winding takes over, which eliminates power dissipation in the start-up circuit. In some cases, the MIC9131 may be run directly from the input voltage rail, eliminating the need for an external bias winding.

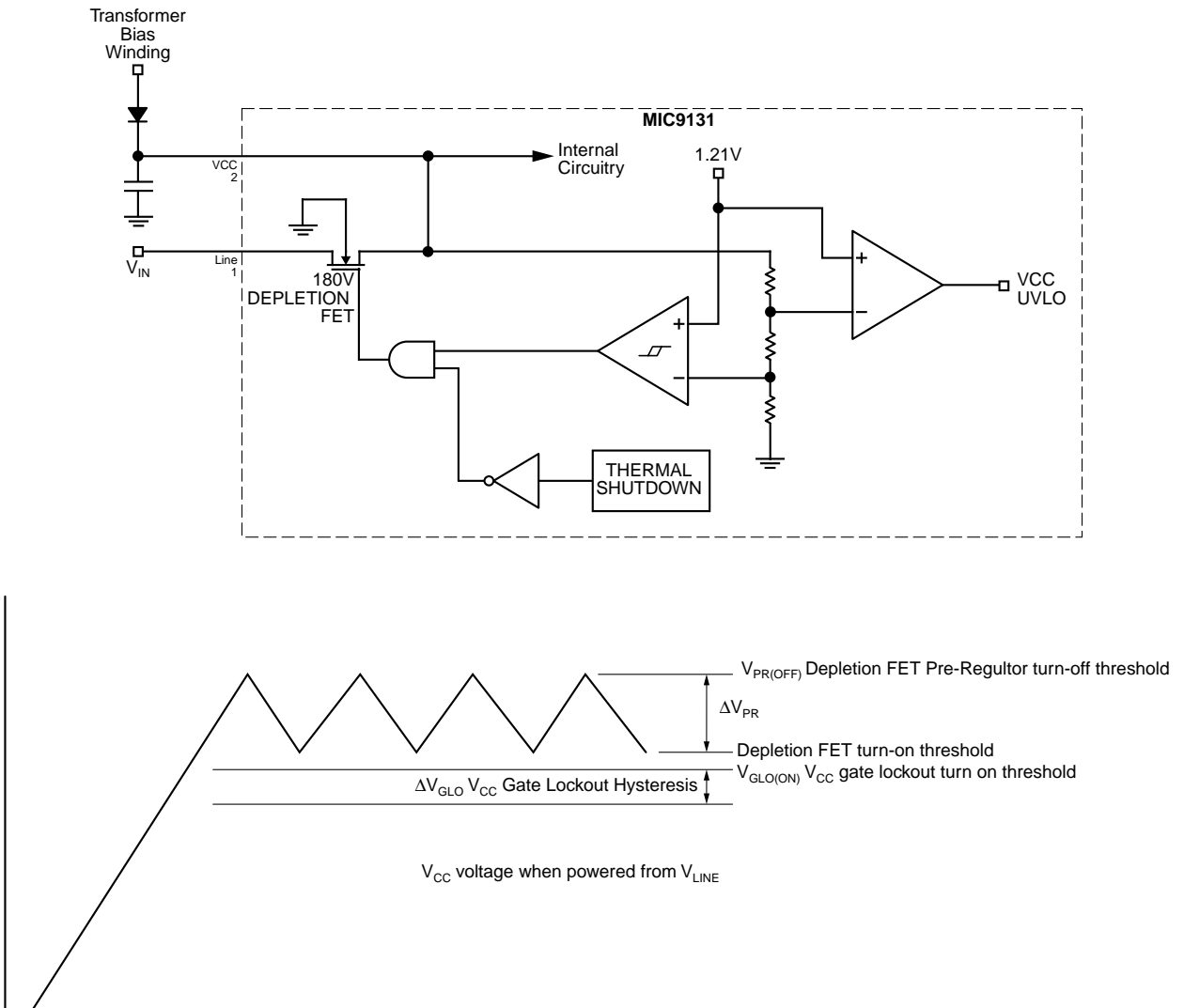


Figure 2

Start-up circuit operation is illustrated in Figure 2.  $V_{IN}$  is applied and the depletion FET, which is normally enabled allows current from  $V_{IN}$  to charge the  $V_{CC}$  bias capacitor. Once the  $V_{CC}$  voltage reaches the  $V_{CC}$  enable threshold,  $V_{GLO(ON)}$ , the gate drive is enabled and the MIC9131 starts switching.  $V_{CC}$  continues to increase until the Pre-Regulator turn-off threshold, ( $V_{PR(OFF)}$ ), is reached and the depletion FET is turned off. The  $V_{CC}$  voltage decreases as energy from the bias capacitor is used to supply the controller. The depletion FET is turned back on when the pre-regulator turn-on threshold is reached. A bias winding derived supply voltage, set higher than the FET turn-off threshold,  $V_{PR(OFF)}$ , raises the  $V_{CC}$  voltage over the threshold and prevents the FET from turning on.

In certain designs the MIC9131 may be powered directly from the Line voltage, eliminating the need for an extra transformer bias winding. When operating in this fashion the designer must insure the power dissipation in the IC does not cause the die temperature to exceed the 125°C maximum. Power dissipation is calculated by:

$$P_{DISS} = (V_{IN} - V_{CC}) \times I_{VCC}$$

Where :

$V_{IN}$  is the line input voltage

$V_{CC}$  is the average  $V_{CC}$  voltage (typically 8.5V)

$I_{VCC}$  is the total current drawn by the IC

$I_{VCC}$  is the sum of the operating current of the MIC9131 at a given frequency and the average current required to drive the external switching MOSFET. A plot of typical operating current vs. frequency is given in Figure 3. The average MOSFET gate drive current is calculated in the "MOSFET GATE DRIVE" section of this specification.

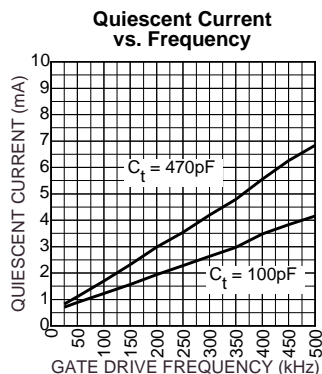


Figure 3

The die junction temperature is calculated by

$$T_J = T_A + P_{DISS} \times \theta_{JA}$$

Where:  $T_J$  is the die junction temperature

$T_A$  is the ambient temperature of the circuit

$\theta_{JA}$  is the junction to ambient thermal resistance of the MIC9131 (listed in the operating ratings section of the specification).

When powered directly from the Line voltage, the  $V_{CC}$  voltage will vary between the upper and lower pre-regulator thresholds. The amplitude of the output gate drive voltage will vary with the  $V_{CC}$  voltage. This should not be a problem for most

topologies since the variation is small (equal to the  $\Delta V_{PR}$  hysteresis). The bias regulator in the MIC9131 buffers the internal circuits from  $V_{CC}$  variations.

The pre-regulator FET is protected by a thermal shutdown circuit, which turns the MOSFET off if its temperature exceeds approximately 150°C.

When operating at input voltages greater than 150V, a fast input voltage risetime during turn-on (which may occur during a hot plug operation) may cause a high peak current to flow through the depletion FET, damaging the MIC9131. A 1.8k $\Omega$  resistor in series between the input voltage and the Line pin (pin 1) is recommended when operating at input voltages greater than 150V. This resistor limits the maximum peak current to 100mA (at 180V $_{IN}$ ) and protects the part.

The depletion mode MOSFET contains an internal parasitic diode. The  $V_{IN}$  pin voltage must be greater than the  $V_{CC}$  voltage or the  $V_{CC}$  voltage will be clamped to a diode drop greater than the  $V_{IN}$  voltage. Excessive power dissipation in the parasitic diode will destroy the IC.

### $V_{CC}$ and Bias Supplies

The power for the controller and gate drive circuitry is supplied through the  $V_{CC}$  pin. The gate drive current is returned to ground through the power ground pin (PGND). The rest of the supply current is returned to ground through the analog ground pin (AGND). The two ground pins must be connected together through the PCB ground plane.

High frequency decoupling is provided at the  $V_{CC}$  pin to supply the gate drive's peak current requirements. Turn-on of the external MOSFET causes a voltage glitch on the  $V_{CC}$  pin. If the glitch is excessive, this disruption can appear as noise or jitter in the oscillator circuit or the gate drive waveform. The decoupling capacitor must be able to supply the MOSFET gate with the charge required to turn it on. A 0.1 $\mu\text{F}$  ceramic capacitor is usually sufficient for most MOSFETs. Larger FETs, with a higher gate charge requirement may require a 0.22 $\mu\text{F}$  ceramic capacitor or a ceramic capacitor paralleled with a 2.2 $\mu\text{F}$  tantalum or 4.7 $\mu\text{F}$  aluminum electrolytic. It is recommended that if  $V_{LINE}$  is greater than 150V DC than the maximum capacitor recommended on  $V_{CC}$  is 2.2 $\mu\text{F}$ . The capacitor must be located next to the  $V_{CC}$  pin of the MIC9131. The ground end of the capacitor should be connected to the ground plane, making a low impedance connection to the power ground pin (pin 15).

The internal bias regulator block provides several internal and external bias voltages. Referring to Figure 1, a 2.5V reference is used for the internal error amplifier, a 0.82V bias is used by the current limit comparator and a 1.21V reference is used by the Line UVLO circuit. An external 5V bias voltage ( $V_{BIAS}$ ) powers the oscillator circuit and may be used as a reference voltage for other external components. The  $V_{BIAS}$  pin requires a minimum 0.1 $\mu\text{F}$  capacitor to ground for decoupling.

### Enable and Undervoltage Monitoring Circuits

The two undervoltage lockout circuits in the MIC9131 are shown in Figure 4. One monitors the  $V_{CC}$  voltage and the other monitors the input line voltage. These signals are OR'd

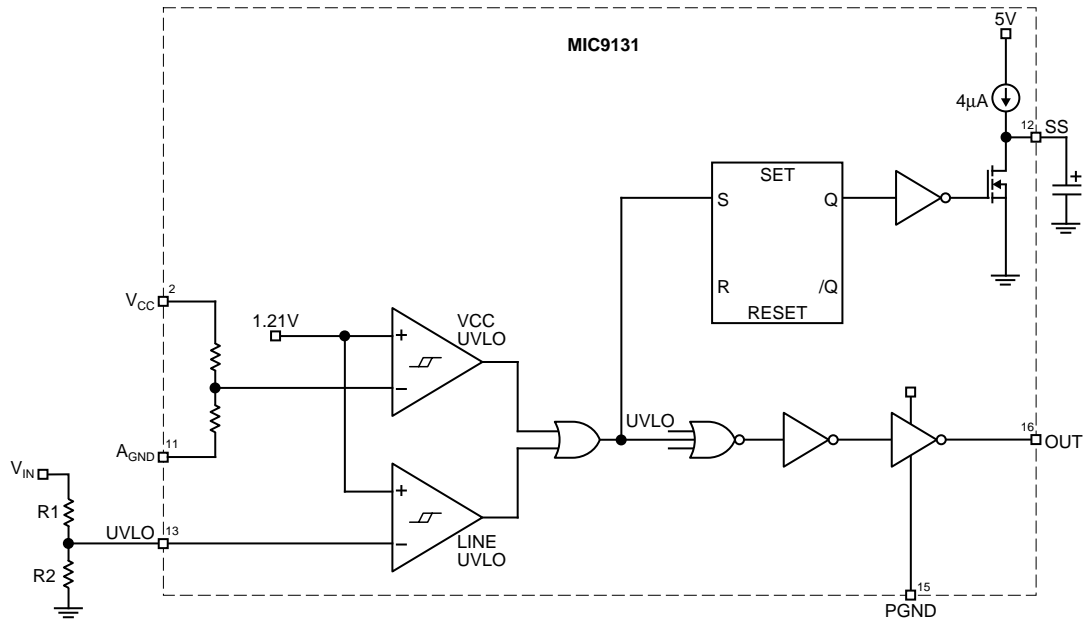


Figure 4: UVLO and Soft Start Circuits

together and either one can disable the gate drive pin and discharge the voltage on the soft start capacitor.

### V<sub>CC</sub> Undervoltage Lockout

The V<sub>CC</sub> voltage is internally divided down and compared to a 1.21V internal bandgap reference. As V<sub>CC</sub> rises above the turn-on threshold, it disables the V<sub>CC</sub> undervoltage lockout circuit. Once above the turn-on threshold, hysteresis prevents the lockout circuit from disabling the IC until the V<sub>CC</sub> voltage falls below the lower threshold.

### Line Undervoltage Circuit (UVLO)

The line voltage is monitored by an external resistor divider and fed into the negative input of the line UVLO comparator. As the comparator trip point is exceeded, the line UVLO circuit is disabled. Hysteresis built into the comparator prevents the circuit from toggling on an off in the presence of noise or a high input line impedance.

The line voltage turn-on trip point is:

$$V_{\text{LINE\_ON}} = V_{\text{THRESHOLD}} \times \frac{R1+R2}{R2}$$

where: V<sub>THRESHOLD</sub> is the voltage level of the internal comparator reference, typically 1.21V.

The line hysteresis is equal to:

$$V_{\text{HYSTERESIS}} = V_{\text{HYST}} \times \frac{R1+R2}{R2}$$

where: V<sub>HYST</sub> is the internal hysteresis level, typically 75mV.

V<sub>HYSTERESIS</sub> is the hysteresis of the line input voltage

The MIC9131 will be disabled when the line voltage drops back down to:

$$V_{\text{LINE\_OFF}} = V_{\text{LINE\_ON}} - V_{\text{HYSTERESIS}}$$

$$(V_{\text{THRESHOLD}} - V_{\text{HYST}}) \times \frac{R1+R2}{R2}$$

### Enable

A low level on the enable pin turns off all the functions of the MIC9131 and places it in a low quiescent current state. The output driver is in a low state. When the enable pin is pulled high, the MIC9131 goes through its normal start up sequence including undervoltage lock out and soft start. When not used, the pin should be connected to V<sub>CC</sub>.

### Oscillator Block

An external resistor and capacitor set the oscillator frequency. The MIC9131 contains an internal divide-by-four circuit that limits the maximum duty cycle at the gate drive to 75%. The oscillator frequency of the MIC9131 is four times the output switching frequency.

### Oscillator Pin

The operation of the oscillator is shown in Figure 5. The voltage waveform at the OSC pin is a sawtooth whose amplitude increases as capacitor C<sub>osc</sub> is charged up through R<sub>OSC</sub> from the 5V<sub>BIAS</sub>. When the OSC pin voltage reaches the internal comparator upper threshold, C<sub>OSC</sub> is quickly discharged to zero volts by an internal MOSFET. After a brief delay, typically 75ns, the internal MOSFET is turned off and the C<sub>OSC</sub> charges, repeating the cycle. Figure 5 show the relationship between the oscillator and gate drive waveforms. The delays in the IC force the duty cycle of the gate drive signal to be slightly less than 75% duty cycle.

For V<sub>BIAS</sub> = 5V and a peak oscillator waveform voltage of 3V, the design equations simplify to:

Charging

$$t_{\text{CHARGE}} = 0.92 \times R_t \times C_t$$

Discharging

$$t_{\text{DISCHARGE}} \approx 40 \times C_t$$

$$T_{P\_OSCILLATOR} = t_{CHARGE} + t_{DISCHARGE} + t_{DELAY}$$

$$\text{Where } t_{DELAY} = 75\text{ns}$$

$$f_{S\_OSCILLATOR} = \frac{1}{T_{P\_OSCILLATOR}}$$

$$f_{S\_OUTPUT} = \frac{1}{4} \times f_{S\_OSCILLATOR}$$

The timing capacitor,  $C_{OSC}$ , should be an NPO ceramic or a temperature stable film capacitor. Care must be taken when using capacitor values less than 47pF. The high impedance of a small value capacitor makes the OSC pin more susceptible to switching noise. Also, the input capacitance of the OSC pin and the stray capacitance of the board will have a noticeable effect on the oscillator frequency.

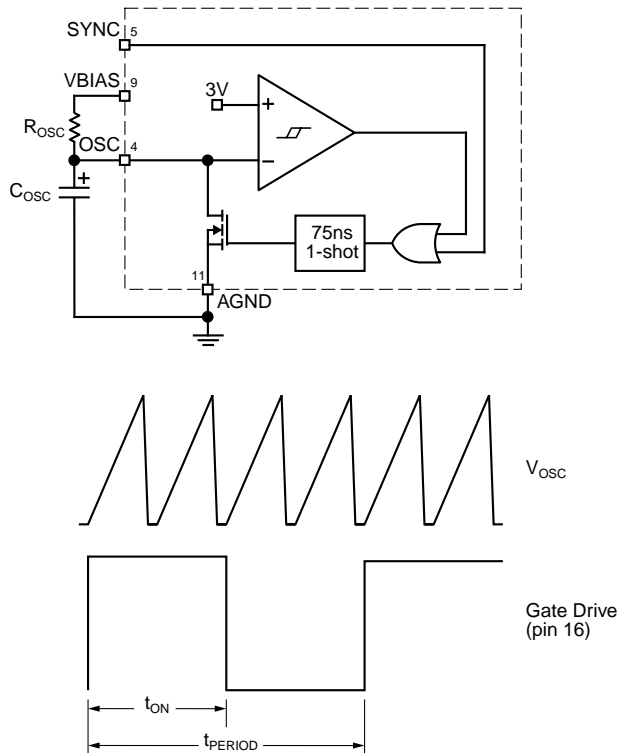


Figure 5

### Higher Switching Frequencies

The MIC9131 is capable of very high switching frequencies. One of the limitations on the maximum frequency is the current capability of the 5V regulator supplying the oscillator and  $V_{BIAS}$ . By powering  $V_{BIAS}$  with an external source, e.g. linear regulator much higher switching frequencies can be achieved. A simple way of using an external current source is to set an NPN as an emitter follower. Figure 5b shows the MIC9131 oscillator frequency set to 4MHz using an external NPN. The emitter follower circuit allows the current to be supplied by  $V_{CC}$  while the voltage is regulated to a diode drop below  $V_{BIAS}$ . This configuration is quite stable over temperature and voltage variations.

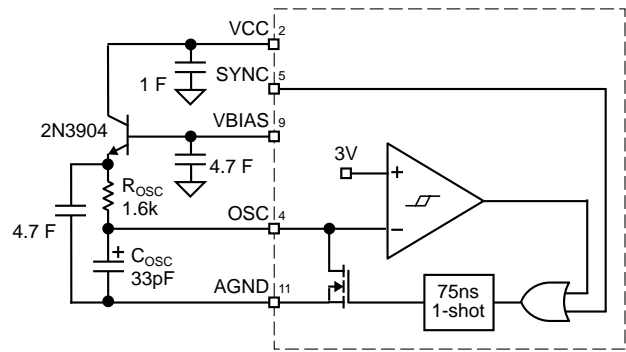


Figure 5a

### Oscillator Synchronization

The switching frequency of the MIC9131 can be synchronized to an external oscillator or frequency source. Figure 6 shows the relationship between the sync input, oscillator waveform and gate drive output. The external frequency should be set at least 15% greater than the free running oscillator frequency to account for tolerances in the oscillator circuit and external components. The positive edge of the sync signal resets the oscillator. The sync pulse frequency, like the oscillator, is four times the gate drive frequency. When an external sync signal is applied, the peak amplitude of the oscillator signal (pin 4) is less than when it is free running because the oscillator signal is terminated before it reaches its 3V (typical) amplitude. When not used, the sync pin should be connected to ground to prevent noise from erroneously resetting the oscillator.

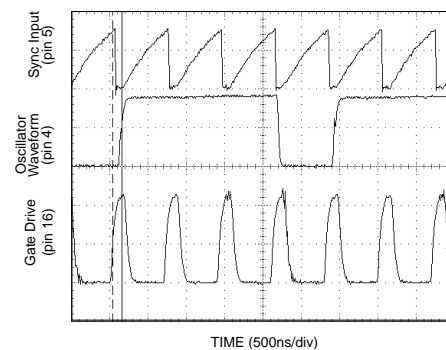


Figure 6. Sync Waveform

### Soft Start Circuit

The soft start is programmed by a capacitor on the soft start pin. A 4μA current source charges up the capacitor. At power up, the SS pin is discharged. Once the UVLO and enable functions release the soft start circuit, the voltage of the capacitor increases. The active voltage range of the soft start pin is from typically from 0.9V to 1.7V. The internal current source increases the voltage on the soft start capacitor to approximately 4V. The soft start pin and the current sense voltage are connected to a comparator in the MIC9131. The voltage from the soft start pin effectively limits the peak current through the current sense resistor by prematurely terminating the on-time of the gate drive output. Referring to Figure 1, with the soft start voltage low, the duty cycle of the output is at a minimum. As the soft start voltage increases,

the duty cycle of the gate drive output increases until the error amplifier takes control of the duty cycle. The soft start capacitor is discharged by an internal MOSFET in the MIC9131.

The soft start circuit is activated by the following events:

1. Line undervoltage pin less than the 1.21V threshold
2.  $V_{CC}$  becomes less than the pre-regulator voltage turn off threshold.
3. The current limit comparator threshold is exceeded. This can be disabled with a low level on the CPWR pin.
4. A low level on the enable pin.

Calculating the soft capacitor depends on many parameters such as the current limit of the circuit input voltage, output power and output loading. A starting value of capacitor should be chosen and the value can be adjusted later in the design. Recommended starting values of soft start capacitance is typically 10nF to 100nF. Values below 1nF may be ineffective in slowing the output voltage turn on time.

### CPWR Current Limit Selection

This pin controls whether the soft start circuit is reset if the voltage on the Isns pin exceeds the overcurrent threshold. When the CPWR pin is high, an overcurrent condition at the ISNS pin will terminate the on-time of the gate drive pulse and discharge the soft start capacitor to 0V. This delay in start up contributes to a reduction in the average output current during an overcurrent or short circuit condition. A smaller MOSFET may be used since the power dissipation in the MOSFET is minimized under short circuit or overcurrent conditions.

If the CPWR pin is low an overcurrent or short circuit conditions will not trip the soft start circuit. The pulse-by-pulse current limit, inherent in current mode control, provides a "brick wall" or constant current limit. With the power supply operating in this mode, a smaller soft start capacitor can be used to increase the turn on speed of the supply.

If the CPWR pin is held low during the initial turn on at power up and then raised high, the power supply can maximize the turn-on time at start up and still provide a high level of overcurrent and short circuit protection. The circuit shown in Figure 7 performs this function.

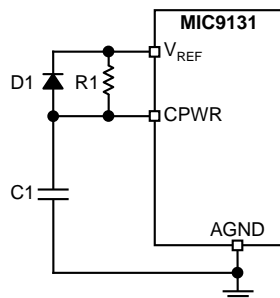


Figure 7

### MOSFET Gate Drive Output

The MIC9131 has the capability to directly drive the gate of a MOSFET. The output driver consists of a complimentary P-channel and N-channel pair. The typical switching time of the output is dependent on the IC supply voltage and the gate charge required to turn the MOSFET on and off.

A resistor placed in series with the gate drive output attenuates ringing in the etch connection between the MIC9131 and the MOSFET. Figure 8 shows a single resistor in series between the driver output and the gate of the MOSFET. The zener value should be greater than the gate drive voltage to prevent excessive power dissipation, but less than the maximum gate to source voltage rating.

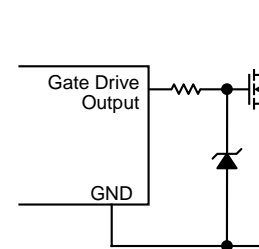


Figure 8

The circuitry shown in figure 9 allow different rise and fall times. R1 and the input capacitance of the MOSFET determine the rise-time of the gate voltage and therefore the turn-on time of the MOSFET. The diode, D1 is reversed biased, which removes R2 from the circuit. At turn-off, D1 is forward biased and the parallel combination of R1 and R2 controls the turn-off time of the MOSFET. The turn on-time is slower, which reduces switching noise and ringing during turn-on. The turn-off time is faster, which minimizes switching losses during turn-off and improves efficiency. If the turn-on time is to be faster than the turn-off time, the diode should be reversed.

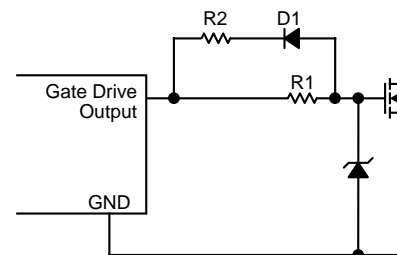


Figure 9

A gate drive transformer is used where an increase in drive voltage, isolation and/or voltage level shifting are required. Gate drive transformers can have multiple windings and drive multiple MOSFETs, including MOSFETs that require a drive signal 180° out of phase with the ICs drive signal.

Figure 10 shows a gate drive transformer circuit. The capacitor, C1 removes DC from the drive circuit and prevents transformer saturation. R1 provides damping to eliminate ringing in the circuit. R1 is usually in the 5 to 20Ω range, depending on the amount of damping necessary. D1 and D2 form a clamp circuit, which prevents the voltage from exceeding the  $V_{GMAX}$  level. If the gate drive is well damped, the diodes may be removed R2 is used to allow the transformer to reset properly.

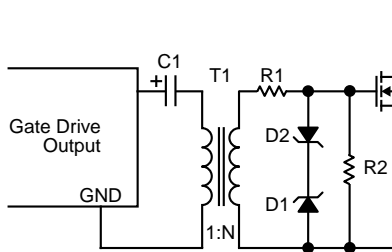


Figure 10

The gate impedance of a MOSFET is capacitive and the power required to drive the gate is proportional to the charge required to turn on the MOSFET, the peak gate voltage and the switching frequency. Assuming the total gate charge for turn on and turn off is equal, the power used to switch the MOSFET on and off is:

$$P_{DRIVE} = Q_G \times V_{GS} \times f_S$$

where:  $Q_G$  is the total gate charge at  $V_{GS}$

$V_{GS}$  is the gate to source voltage of the MOSFET usually equal to  $V_{CC}$

$f_S$  is the output switching frequency

The power required to drive the MOSFET is dissipated in the drive circuitry of the MIC9131. This power must not cause the die temperature to exceed the maximum rated junction temperature of 125°C.

MOSFET Driver IC's are used when the drive requirement for the MOSFETs is greater than the capability of the MIC9131 gate drive output. While the peak current of the MIC9131 gate drive is typically 1.2A at  $V_{IN} = 12V$ , a gate driver ICs will sink or source between 1.2A and 12A of peak current. The higher peak current allows faster rise and fall times for larger MOSFETs.

The drive requirements for selecting a MOSFET driver are determined using the following equation:

$$I_{PK} = 2 \times \frac{Q_G}{t}$$

where:  $Q_G$  is the total gate charge required to turn on the MOSFET at a specified  $I_D$ ,  $V_G$  and  $V_{DS}$ . This information is usually given in the MOSFET specification sheet.

$t$  is the gate voltage transition time (risetime or fall time)

$I_{PK}$  is the peak current requirement of the MOSFET driver IC.

For example, if a MOSFET is chosen with a  $Q_G$  of 60nC and it is desired to have a 50nS gate to source risetime/falltime, the peak current requirement of the MOSFET driver is:

$$I_{PK} = \frac{2 \times 60nC}{50ns} = 2.4A$$

A driver such as the MIC4424 will meet this requirement. For more information on choosing a MOSFET driver, see the Micrel application note AN-24, "Designing with Low Side MOSFET Drivers."

## Current Sense Circuit

The current sense input of the MIC9131 has three unique features, which are advantageous in a high speed, high efficiency power supply.

1. The overcurrent threshold is nominally 0.82V instead of the typical 1.0V found in most switching control ICs.
2. The current sense pin sources a nominal 40μA of current out of the pin. This is used to raise the current limit threshold of the pin, which allows a smaller current sense resistor to be used. This improves the efficiency of the power supply, especially in lower current applications.
3. The delay from the current sense input to the output is typically 50ns.

The current limit threshold of the ISNS pin was set at 0.82V, allowing the use of a smaller current sense resistor. A stable, bandgap derived 40μA current is sourced from the ISNS pin. A voltage drop across a series resistor placed between the pin and the current sense resistor level increases the current sense signal at the ISNS pin. This allows the use of a smaller current sense resistor if the full 0.82V peak to peak current signal is not required. Decreasing the value of the current sense resistor decreases the power dissipation in the resistor, which improves the efficiency of the power supply.

The delay between the input of the overcurrent comparator and the output gate drive is nominally 50ns. This very fast response time allows the MIC9131 to operate at higher frequencies and still have adequate overcurrent protection.

The operation of the current sense input is as follows. The sensed current in the power supply is converted to a voltage by a resistor or current sense transformer. Referring to Figure 1, this voltage is compared to the output of the error amplifier, which sets the duty cycle of the gate drive output. The current signal is also connected to an  $I_{max}$  comparator. Comparing the current sense signal to the reference voltage sets a maximum current limit. If the maximum amplitude of the current sense signal exceeds the reference, the comparator terminates the gate drive output pulse. It also discharges the soft start capacitor when the CPWR pin is high.

## Leading Edge Current Spike

The current signal in a power circuit will often have a leading edge spike caused by leakage inductance, parasitic inductance and capacitance, diode reverse recovery effects and snubbers. These spikes can cause premature termination of the switching cycle if they are not eliminated.

A resistor may be added in series between the current sense resistor and the  $I_{sns}$  input. The input and board trace capacitance of the ISNS pin (pin 14) is approximately 25pF. A 1k resistor is a good choice, since it attenuates most of the ripple without distorting the current sense waveform. It has a minimal effect on level, offsetting the current sense signal by only 40mV.

A typical rule of thumb is the bandwidth of the RC filter should be at least 6 times the switching frequency. This avoids distorting the current sense waveform and adding excessive delays in the current loop that will interfering with overcurrent protection. For a 100kHz switcher, the maximum series

resistance is 10K, for a 500kHz switcher, the maximum series resistance is 2K.

**Sensing Current with a Resistor**

The fast transition times of the current signal prohibit the use of inductive resistors. Standard wire wound power resistors will not work. Carbon composition or metal film resistors or low inductance power resistors may be used. The overcurrent range of the power supply and component tolerances must be considered when selecting the current sense resistor value. The power supply specification may call for an overcurrent limit, which must be accounted for when selecting the current sense resistor value. The relationship between the peak primary current and the current sense resistor is:

$$V_{ISNS} = I_P \times R_{ISENSE} + I_{ISNS} \times R_f$$

where:  $I_P$  is the current in the sense resistor

$R_{ISENSE}$  is the current sense resistance

$I_{ISNS}$  is the current sourced from the ISNS pin (40µA)

$R_f$  is the series resistor between the ISNS pin and the current sense resistor.

The current sense resistor must not be too small or the current sense signal will be susceptible to noise. If noise is a problem, the current signal level should be increased.

An example is illustrated below.

The maximum peak current,  $I_{P_{MAX}} = 1A$  at 120% overcurrent and minimum input voltage

The maximum rms current,  $I_{RMS} = 0.65A$

The desired current sense signal amplitude is 500mV at 1A output current.

The current sense resistor value and power dissipation is:

$$R_{SENSE} = \frac{V_{SENSE}}{I_{SENSE}} = \frac{0.5}{1} = 0.5\Omega$$

$$P_{DISS} = I_{RMS}^2 \times R_{SENSE} = 0.65^2 \times 0.5 = 0.21W$$

A 0.5 ohm, non inductive resistor with at least a 1/2W rating should be selected.

The series resistor is calculated to allow the 500mV-peak signal to reach 0.82V.

$$R_f \frac{V_{ISNS} - (I_P \times R_{ISENSE})}{I_{ISNS}} = \frac{0.82 - (1 \times 0.5)}{40\mu A} = 10.25k\Omega$$

The next lower value of 10kΩ is selected.

The bandwidth of the 10K resistor and the 25pF input capacitance is calculated. The resistor value must be lowered if the bandwidth is too low for the switching frequency.

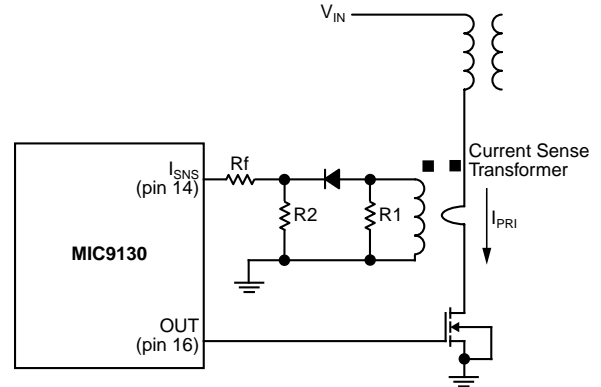
$$BW = \frac{1}{2 \times \pi \times 10k \times 25pF} = 630kHz$$

The maximum switching frequency of this power supply should be approximately six times less than the BW to prevent current waveform distortion and excessive delays in

the current loop. This limits the switching frequency to the range of 100kHz.

**Sensing Current with a Current Sense Transformer**

At higher power levels, the power dissipation in a current sense resistor is excessive. A current sense transformer can be used to sense the current while minimizing power dissipation. See Figure 11. The schematic shows the circuitry necessary when using a current sense transformer. The resistor, R1, provides a path to reset the current sense transformer. The resistor, R2, converts the scaled down current to a voltage, which is sent to the ISNS pin.



**Figure 11**

The voltage at the ISNS pin is calculated by:

$$V_{ISNS} = \frac{I_P}{N} \times R2 + I_{ISNS} \times R_f$$

where:  $I_P$  is the current in the primary of the current sense transformer

$R2$  is the current sense resistance at the secondary of the current sense transformer

$N$  is the turns ratio of the current sense transformer ( $N = N_{sec}/N_{pri}$ )

$I_{ISNS}$  is the current sourced from the ISNS pin (40µA)

$R_f$  is the series resistor between the ISNS pin and the current sense resistor.

**Current Transformer Example:**

The maximum peak current,  $I_{P_{MAX}} = 5A$  at 120% overcurrent and minimum input voltage

The maximum rms current,  $I_{RMS} = 3.25A$

The full 0.82V peak signal at the ISNS input can be used since very little power is dissipation in the secondary side sense resistor. The maximum peak to peak voltage at the sense pin (pin 14) is 0.82V at the 5A maximum output current.

The current sense resistor value and power dissipation is:

$$R2 = \frac{V_{SENSE} \times N}{I_P} = \frac{0.82 \times 100}{5} = 16.4\Omega$$

$$P_{DISS} = \left( \frac{I_{PRMS}}{N} \right)^2 \times R2 = \left( \frac{3.25}{100} \right)^2 \times 16.4 = 17.4mW$$

A 16.2 ohm, 1%, non inductive resistor with at least a 50mW rating should be selected. A good choice would be an 0805

size metal film or a 1/8 watt leaded metal film resistor. A series resistor between the current sense transformer and the ISNS input is not necessary unless it is used for low pass filtering. If the current sense transformer were not used, the sense resistor would dissipate 1.7 watts.

$$R_{\text{SENSE}} = \frac{V_{\text{SENSE}}}{I_{\text{SENSE}}} = \frac{0.82}{5} = 0.164\Omega$$

$$P_{\text{DISS}} = I_{\text{RMS}}^2 \times R_{\text{SENSE}} = 3.25^2 \times 0.164 = 1.7\text{W}$$

### Slope Compensation

Power supplies using peak current mode control techniques require slope compensation when they are operating in continuous mode and have a duty cycle greater than 50%. Without slope compensation, the duty cycle of the power supply will alternate wide and narrow pulses commonly referred to as subharmonic oscillations. Even though the MIC9131 operates below a 50% duty cycle, slope compensation adds the benefits of improved transient response and greater noise immunity in the current sense loop (especially when the current ramp is shallow). Slope compensation can be implemented by adding an optimum 1/2 of the inductor current downslope, reflected back to the current sense input. In real world applications, 2/3 of the inductor current downslope is used to allow for component tolerances.

Slope compensation at the ISNS input may be implemented by using a resistor and capacitor as shown in Figure 12. The rectangular waveshape of the gate drive output is integrated by the resistor/capacitor filter, which results in a ramp used for the slope compensation signal. When the gate drive and the current signal at the sense resistor goes low, the capacitor is discharged to 0V.

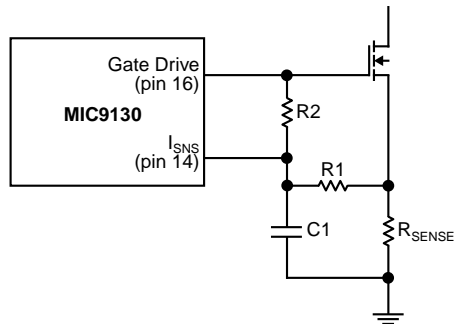


Figure 12

The procedure outlined below demonstrates how to calculate the component values.

Compute the inductor current downslope as seen at the current sense input.

For a flyback, buck or forward mode topology the inductor downslope is equal to:

$$M2 = \frac{di}{dt} = \frac{V_O + V_D}{L}$$

where :

$V_O$  is the output voltage

$V_D$  is the forward voltage drop of the rectifier diode

$L$  is the inductance of the output inductor (or the

secondary winding inductance for the flyback topology)

$M2$  is the inductor current downslope

For a boost topology, the inductor downslope is:

$$M2 = \frac{di}{dt} = \frac{V_{\text{OUT}} - V_{\text{IN}} + V_D}{L}$$

In a transformer isolated topology, the downslope must be reflected back to the primary by the turns ratio of the transformer. The reflected downslope is:

$$M2_{\text{REFLECTED}} = M2 \times \frac{N_s}{N_p}$$

where :  $N_s/N_p$  is the turns ratio of the secondary winding to the primary winding.

$M2_{\text{REFLECTED}}$  is the inductor current downslope reflected to the secondary side of the current sense transformer.

The reflected downslope is multiplied by the current sense resistor to obtain the downslope at the current sense input pin (ISNS).

$$I_{\text{SNS\_SLOPE}} = M2_{\text{REFLECTED}} \times R_s$$

where  $R_s$  is the value of the current sense resistor.

The required downslope of the compensation ramp at the ISNS input is:

$$M3 = I_{\text{SNS\_SLOPE}} \times 0.67$$

$R1$  is known if a value for the resistor between the current sense resistor and the ISNS pin, has already been selected. If not chose a value of 1k, which will minimize any offset and signal degradation at the ISNS pin. Select a value of  $C1$  to minimize signal degradation from the cutoff frequency of  $R1/C1$ . The bandwidth should be at least six times the switching frequency.

$$C1 = \frac{1}{2 \times \pi \times f_s \times R1}$$

where:  $f_s$  is the switching frequency of the power supply (not the oscillator frequency)

The slope of the generated compensation ramp is:

$$M3 = V_{\text{GATE\_DRIVE}} \times \frac{R1}{R2 + R1} \times \frac{1}{R2 \times C1}$$

Solving for  $R2$  and assuming  $R2$  is much greater than  $R1$ .

$$R2 = \sqrt{\frac{V_{\text{GATE\_DRIVE}} \times R1}{M3 \times C1}}$$

where:  $V_{\text{GATE\_DRIVE}}$  is the amplitude of the gate drive waveform

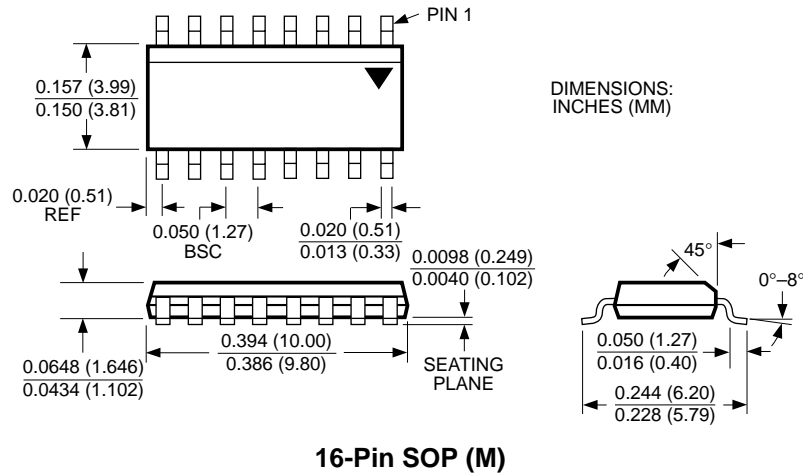


**Error Amplifier**

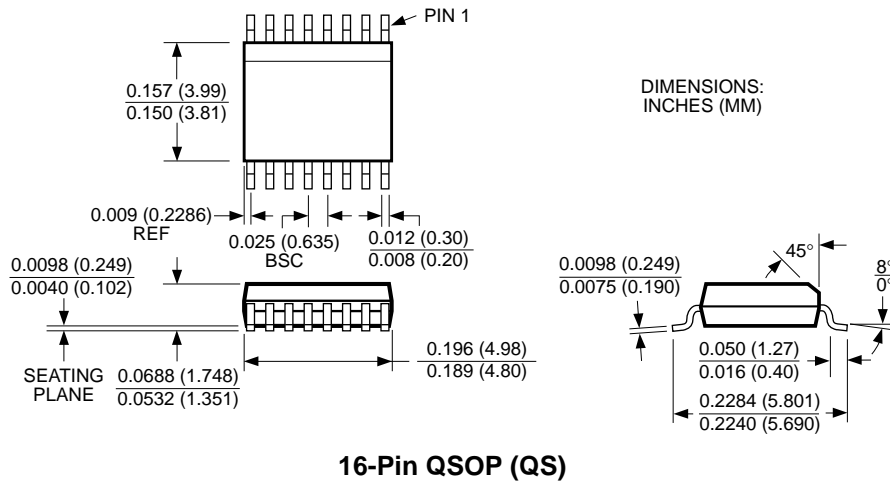
The error amplifier is part of the voltage control loop of the power supply. The FB pin is the inverting input to the error amplifier. The non-inverting input is internally connected to a 2.5V reference. The output of the error amplifier, COMP, is connected to the PWM comparator. The error amplifier

provides the reference to limit and control the peak current of the power supply. There is a 1.2V level shift between the output of the error amplifier and the PWM comparator. This allows the output of the error amplifier to operate in a linear region and prevents loading on the COMP pin from interfering with proper control of the current signal.

Package Information



16-Pin SOP (M)



16-Pin QSOP (QS)



---

**MICREL INC. 1849 FORTUNE DRIVE SAN JOSE, CA 95131 USA**

TEL + 1 (408) 944-0800 FAX + 1 (408) 944-0970 WEB <http://www.micrel.com>

This information is believed to be accurate and reliable, however no responsibility is assumed by Micrel for its use nor for any infringement of patents or other rights of third parties resulting from its use. No license is granted by implication or otherwise under any patent or patent right of Micrel Inc.

© 2001 Micrel Incorporated